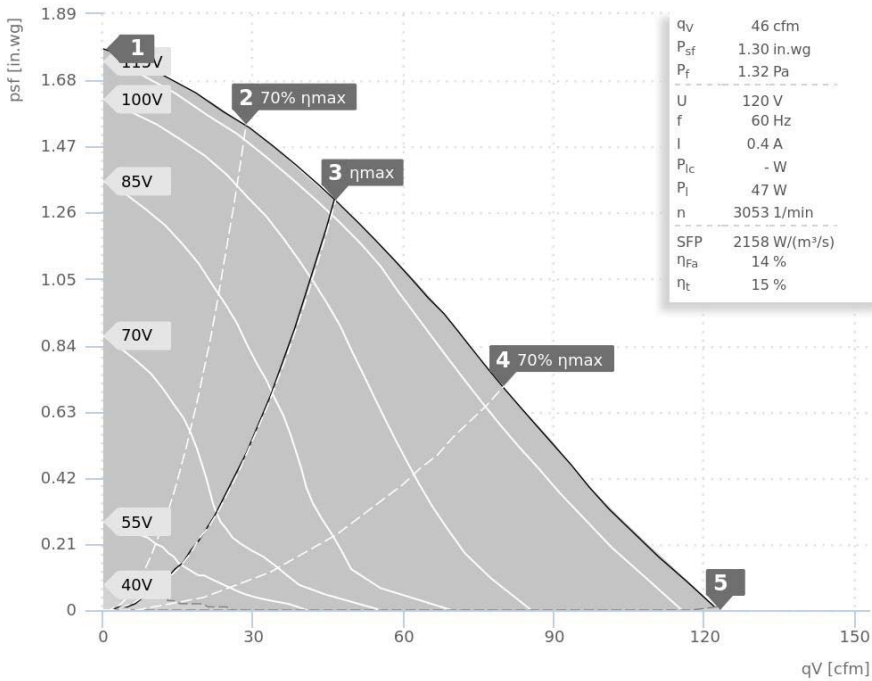


DATA SHEET

4" Classic | 147806



Operating Point		1	2	3	4	5
Current I	A	0,4	0,4	0,4	0,5	0,6
Power consumption P _l	W	35	41	47	62	75
RPM n	1/min	3289	3180	3051	2665	2124
SPL inlet L _{WA5}	dB(A)	63	62	61	61	61
SPL outlet L _{WA6}	dB(A)	63	62	62	62	62
SPL casing break out L _{WA2}	dB(A)	56	55	55	55	55

Sound power (L _W) dB(A)		Medium Frequency Band								
		Σ	63	125	250	500	1k	2k	4k	8k
Inlet	L _{WA5}	61	37	46	54	53	57	54	47	37
Outlet	L _{WA6}	62	38	47	55	52	57	56	50	41
Casing	L _{WA2}	55	36	38	45	45	52	49	44	34

4" Classic 147806	
Voltage U _N	120 V 1~
Current I _{max}	0,7 A
Ambient temperature t _A	80 °C
Medium temperatures t _M	80 °C
Speed Control	V
Motor protection	TAI
Insulation class motor	F
Weight	3,0 kg
Poles	2
IP motor	IP33
IP terminal box	-
Min. operating temperature	-25 °C

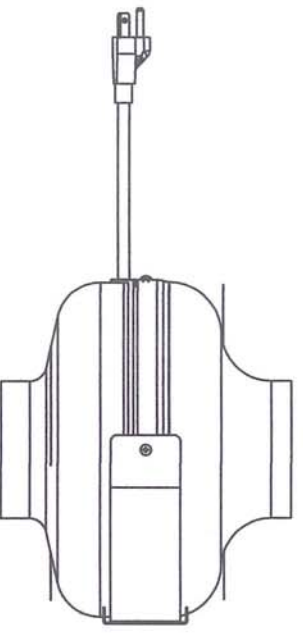
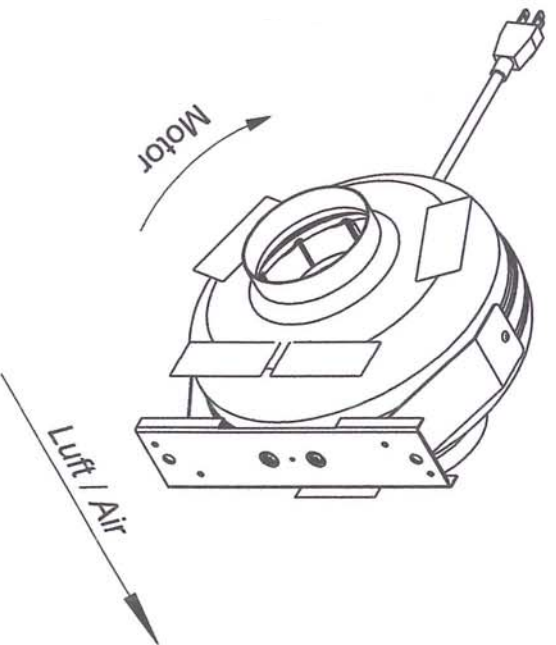
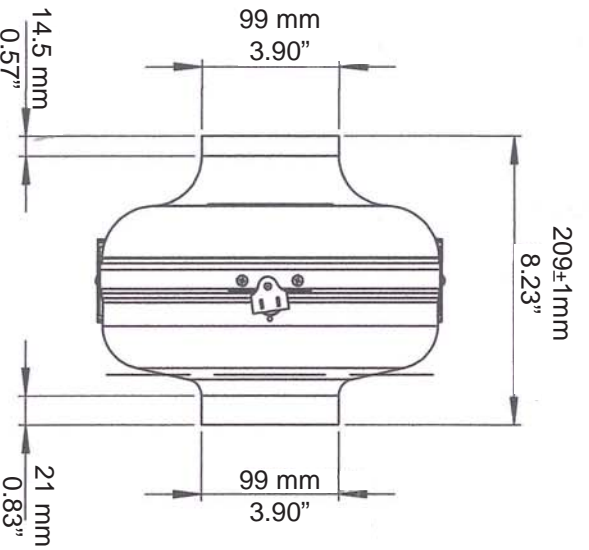
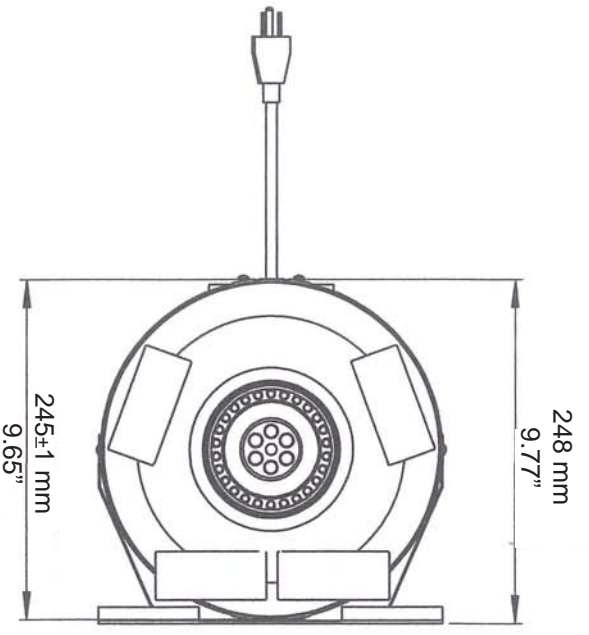
Ruck Air Movement - Master Series by



2082 58th Ave. Circle E.
Bradenton, FL 34203

Phone: 941.739.0879
Fax: 941.739.0881

www.mastervent.com marion.pye@mastervent.com



Ruck Air Movement - Master Series by



2082 58th Ave. Circle E.
 Bradenton, FL 34203
Phone: 941.739.0879
Fax: 941.739.0881
 marion.pye@mastervent.com

4" Classic HO 147815



SUBMITTAL DATA and SPECIFICATIONS for MVP/RAM Series

Series: Centrifugal Classic Models

Application: In line Fans/Blowers: Designed to work in air supply/exhaust application for residential, commercial and light industrial.

Manufacturer: Ruck (EU) under the authority of Master Ventilation Products, Inc., Bradenton, FL 34203.

Material of Construction Temperature Limitations: Ambient 80C/176F, Medium 80C/176F. Housings: Constructed of High-Quality Powder Coated Galvanized Sheet Steel.

Impeller/Wheel: Constructed ABS Plastic Backward Inclined Impeller and Galvanized Steel Back Plate mounted directly to the motor. Impeller is statically and dynamically balanced.

Motors: Efficient AC External Rotor Motor with sealed for life maintenance free ball bearings. Motors are in the air stream for excellent heat dissipation allowing electronic speed control through voltage decrease. Motors are thermally protected. Continuous Duty.

Performance and Sound Safety Certification: All fans conform to ANSI/UL Standard 507 and certified to Canada standard C22.2 No., Intertech 5014371. Fans bear the C(ETL) U.S. Label.

Performance and Sound is Certified to ISO 5801 Standards.

Warranty: Master Ventilation Products, Inc. will warranty its equipment and parts to be free from defects, workmanship and material under normal use and service for two years after delivery to the first user (two years from date of invoice/shipping). Contact Master Ventilation Products, Inc for return instructions.

PROJECT					ARCHITECT			
CONTRACTOR		DATE	SUBMITTED BY		ENGINEER			
SPECIFICATION								
Fan Position	Model #	CFM	In. WG	RPM	Watts	Voltage / Phase	Qty	Accessories

WARNING: DO NOT USE IN HAZARDOUS ENVIRONMENTS WHERE FAN'S ELECTRICAL SYSTEM COULD PROVIDE IGNITION TO COMBUSTIBLE OR FLAMMABLE MATERIALS!